

# Specifications

## LE 18GTplus



### PERFORMANCE

|                                    |              |
|------------------------------------|--------------|
| Working height, max.               | 18,30 m      |
| Horizontal outreach with 200 kg    | 8,50 m       |
| Up and Over Clearance, max.        | 8,30 m       |
| Basket capacity                    | 200 kg       |
| Movable jib                        | 90°          |
| Turret rotation                    | 355°         |
| To be jacked up on ground slope of | 12°/21,0 %   |
| Height and width track adjustment  | 8/16 cm      |
| Gradeability, max.                 | 19,7°/35,5 % |
| Slope angle                        | 16,7°/30,0 % |
| Travel speed                       | 1,8 km/h     |

### MEASUREMENTS

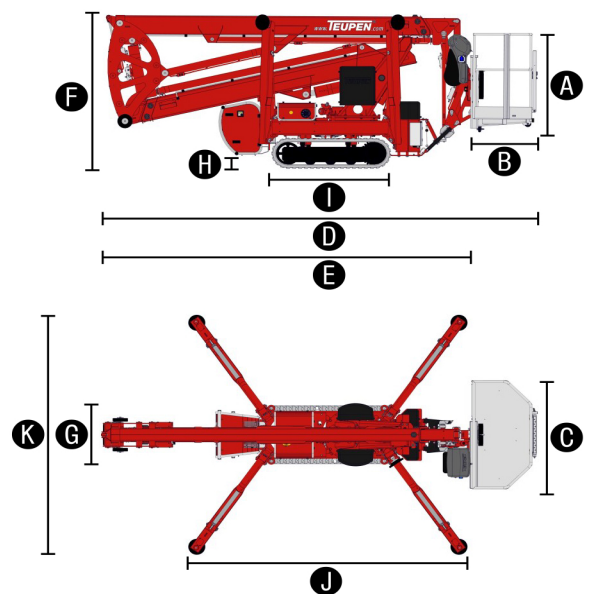
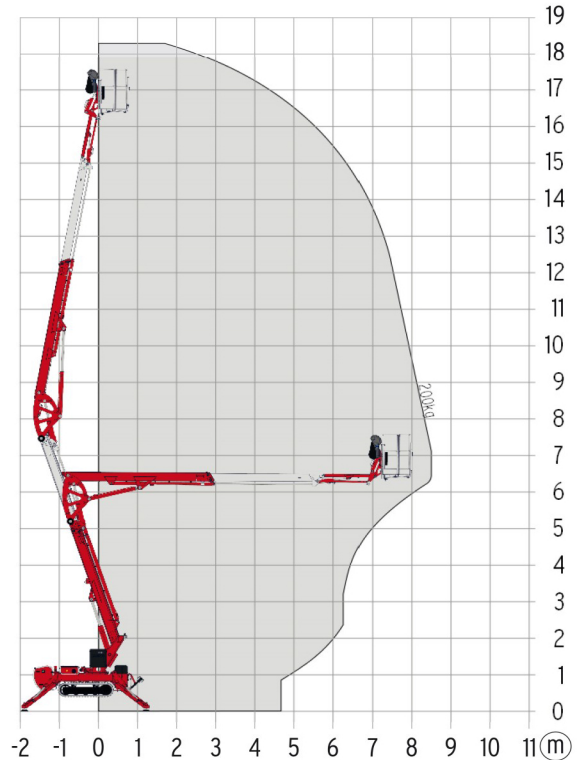
|                                      |             |
|--------------------------------------|-------------|
| Platform height (A)                  | 1,10 m      |
| Platform length (B)                  | 0,70 m      |
| Platform width (C)                   | 1,42 m      |
| Length, overall (D)                  | 5,20 m      |
| Length without basket (E)            | 4,50 m      |
| Height, travel position (F)          | 1,99 m      |
| Width, minimal overall width (G)     | 0,78 m      |
| Ground clearance, max. (H)           | 0,25 m      |
| Track (L x W) (I)                    | 145 x 20 cm |
| Length outrigger footprint, max. (J) | 3,31 m      |
| Width outrigger footprint, max. (K)  | 3,03 m      |
| Outrigger plate Ø                    | 0,18 m      |

### WEIGHT

|                                      |                        |
|--------------------------------------|------------------------|
| Total weight                         | 2450 kg                |
| Live load in travelling position     | 4,90 kN/m <sup>2</sup> |
| Live load in working position        | 2,59 kN/m <sup>2</sup> |
| Point load per outrigger plate, max. | 17,30 kN               |

### POWER

|  |   |
|--|---|
| Standard power sources<br>(electric and combustion engine) | 1) Electric: 230 V, 12,9 A, 2,2 kW        |
| Optional power sources                                     | 1) Diesel: Kubota Z 602 (10,8 kW/14,5 hp) |
| Fuel tank capacity petrol engine                           | 12,0 l                                    |
| Fuel tank capacity Diesel engine                           | 12,0 l                                    |



### STANDARDS COMPLIANCE

2006/42/EC-Machinery directive  
(Harmonised standard EN280:2001 + A2:2009); 2004/108/EC (EMC);  
2000/14/EC (Noise emission directive – outdoor)